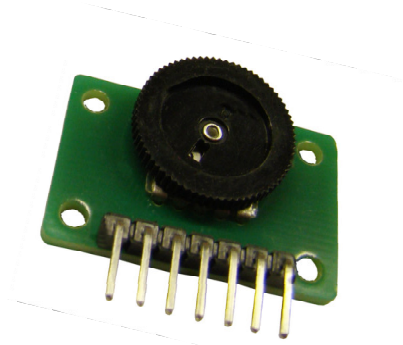




Datasheet: net4web AP1BB – Super-flat Stereo-Knurled-Potentiometer for using with Breadboard and Arduino or Raspberry Pi

Rev: 16.05.2022

- Partnumber (1KΩ): 0711906114066**
- Partnumber (5KΩ): 0711906114073**
- Partnumber (10KΩ): 0711906114080**
- Partnumber (20KΩ): 0711906114097**
- Partnumber (50KΩ): 0711906114103**
- Partnumber (100KΩ): 0711906114110**



Contents

General: 1
 Description: 1
 Technical Data Potentiometer: 2
 Photos: 3

General:

We offer a variety of such useful little helpers. They are all designed in such a way that they can be plugged next to each other in any order without any problems (see photos). The pin assignment is always directly printed at the circuit board connector and no matter how simple the circuit board may be, you will always find a suitable data sheet with circuit diagram from us. Anyone who has ever wired something on a breadboard knows that this not only significantly speeds up the construction of evaluation circuits, it also makes them more stable.

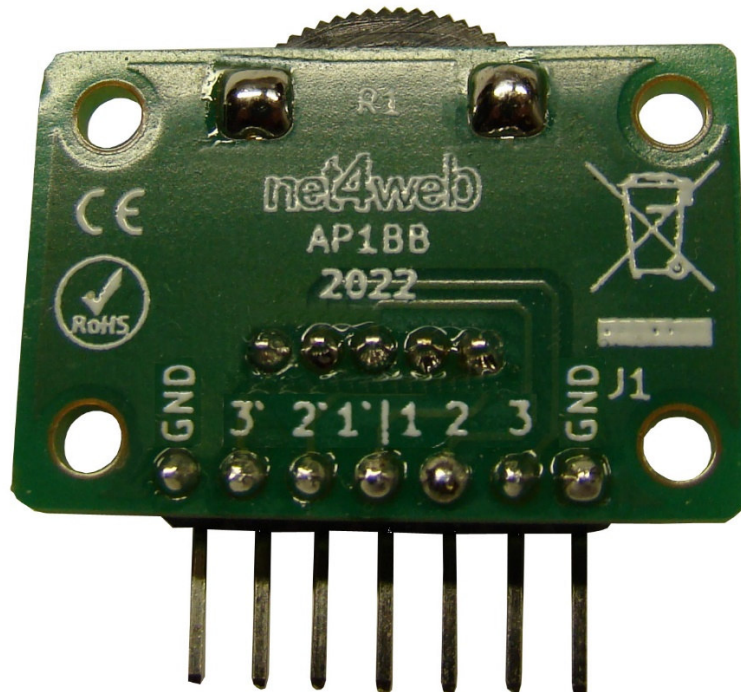
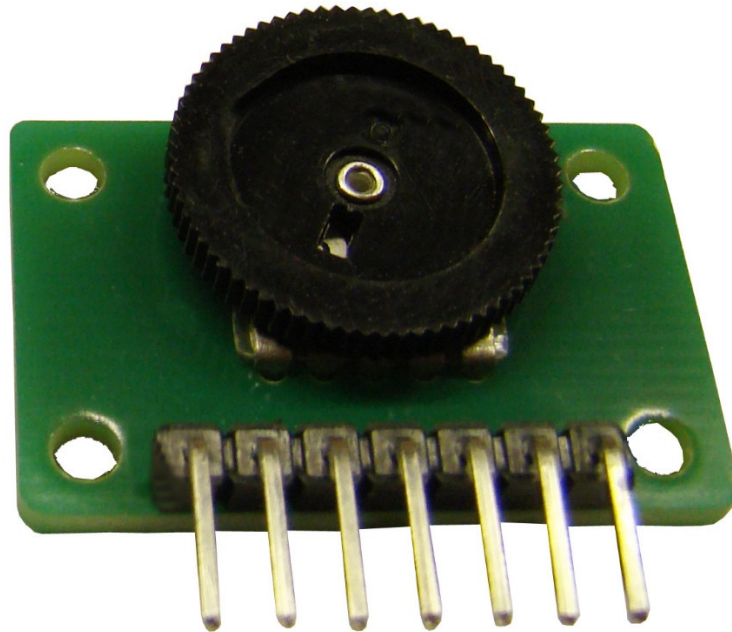
Description:

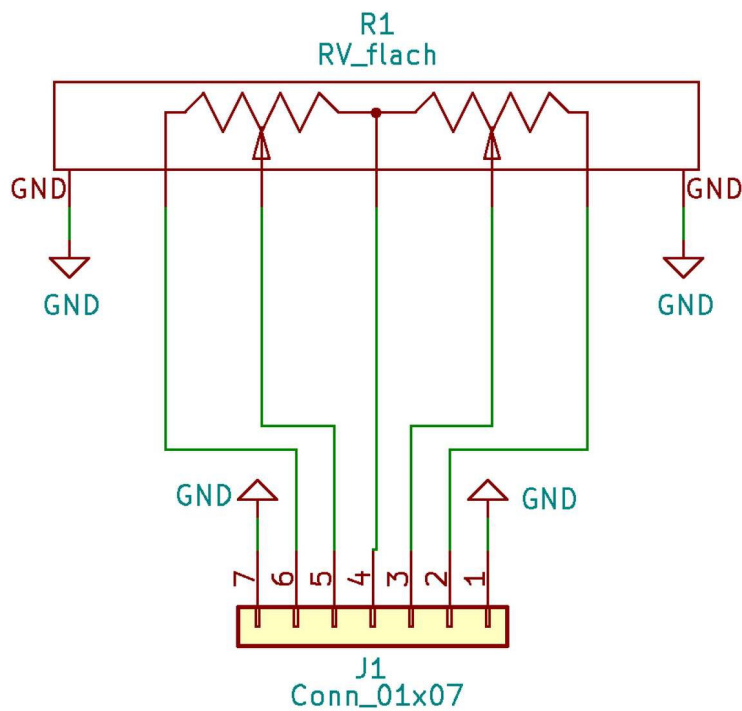
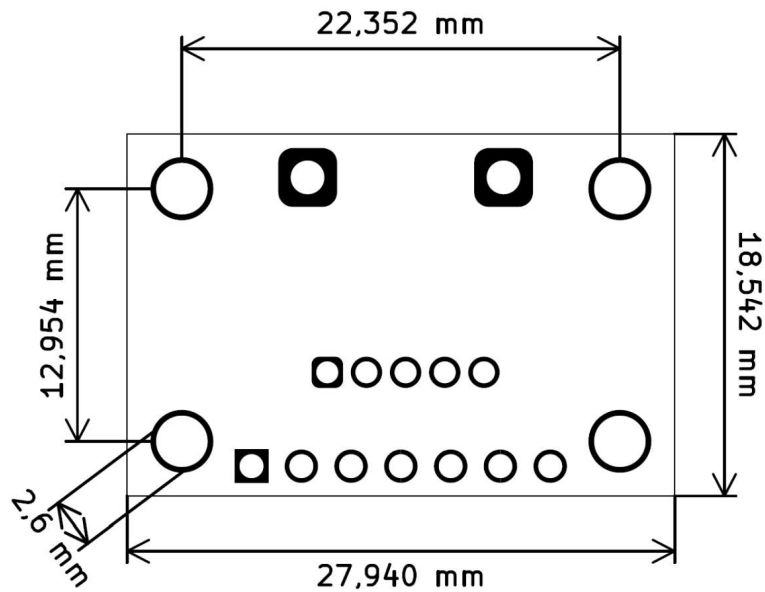
The net4web AP1BB is a super-flat stereo knurled potentiometer, which can be plugged directly into a breadboard with its 7-pin connector with a 2.54mm pitch. If you intend to include the potentiometer used here (which you can also purchase from us) in your series production without the circuit board, please note that the pin assignment of the potentiometer and the pin assignment of the circuit board connector do not are 1:1. When it came to the pin assignment of the circuit board connector, we thought of something! The technical data for the potentiometer used can also be found in this data sheet. We currently deliver the net4web AP1BB with 6 different resistance values (see partnumbers).

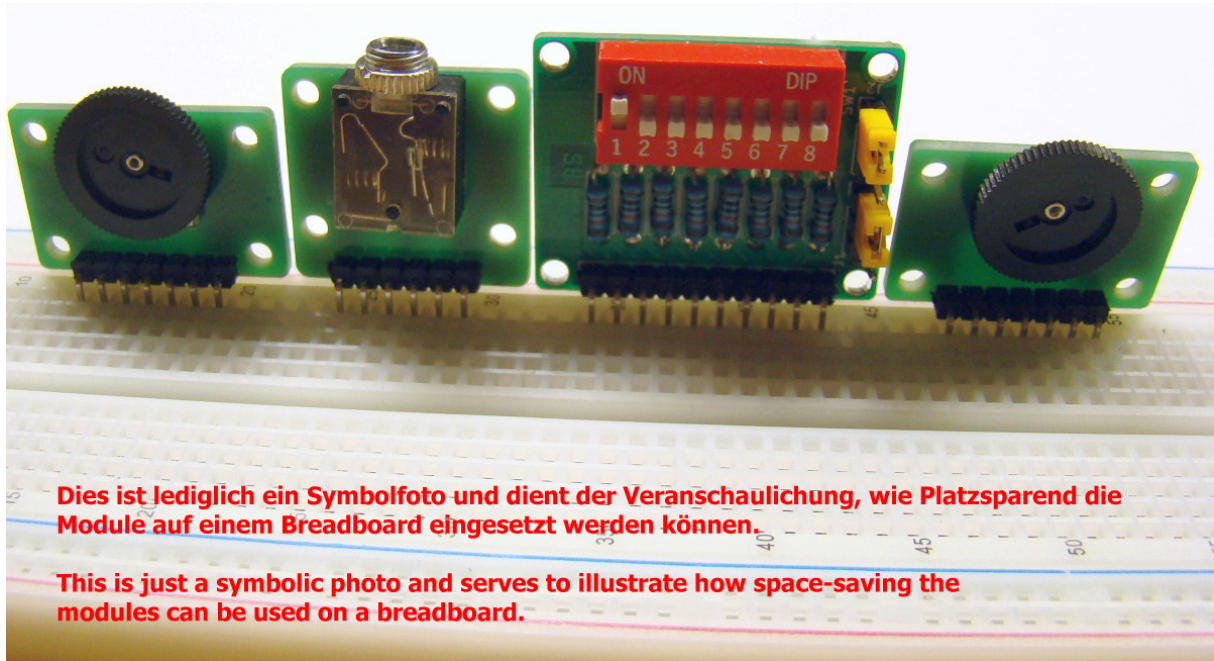
Technical Data Potentiometer:

| | |
|---------------------------|---|
| Operating temperatur | -10°C ~ +70°C |
| Hand soldering | 300°C Max 3sec |
| Maximum resistance | 500Ω~1MΩ |
| Resistance tolerance | ±20% (more than 1MΩ ±30%) |
| Resistance cone | A B C W |
| Residual resistance | 0Ω Max |
| Motion noise | Less than 70mV |
| Rated power (W) | 0.05W |
| Maximum operating voltage | DC 30V |
| Insulation resistance | More than 100MΩ at DC 100V |
| Dielectric strength | 1 minute at AC 100V |
| Total angle of rotation | 270°±5° |
| Torque | 10~50Ncm |
| Pull force at the wave | Pushing force 5N Max pulling force 2N Max |
| Rotation stop force | 0.5N min |
| Rotational life | 10,000 cycles |
| Color thumbwheel | black |
| Thumbwheel dimensions | Ø 16mm, h=2mm |

Photos:

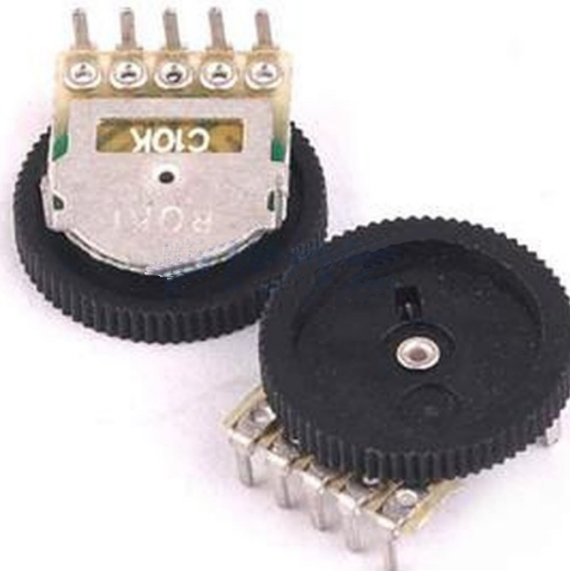




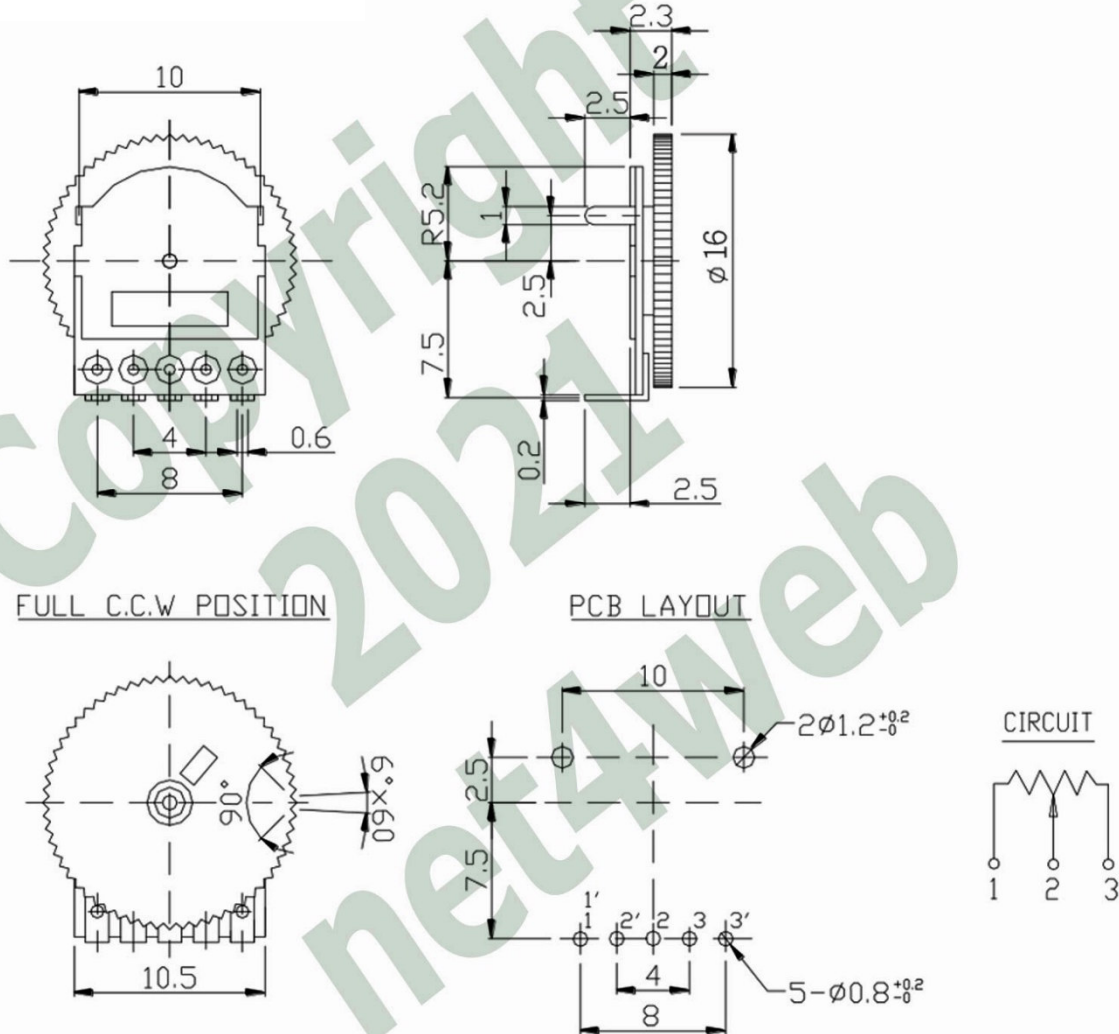


Dies ist lediglich ein Symbolfoto und dient der Veranschaulichung, wie platzsparend die Module auf einem Breadboard eingesetzt werden können.

This is just a symbolic photo and serves to illustrate how space-saving the modules can be used on a breadboard.



Dimensions in mm



Visit us online: www.net4web.de

In the **Downloads** area you will find the RoHS and CE declarations of conformity, as well as possibly additional technical information about this product.

